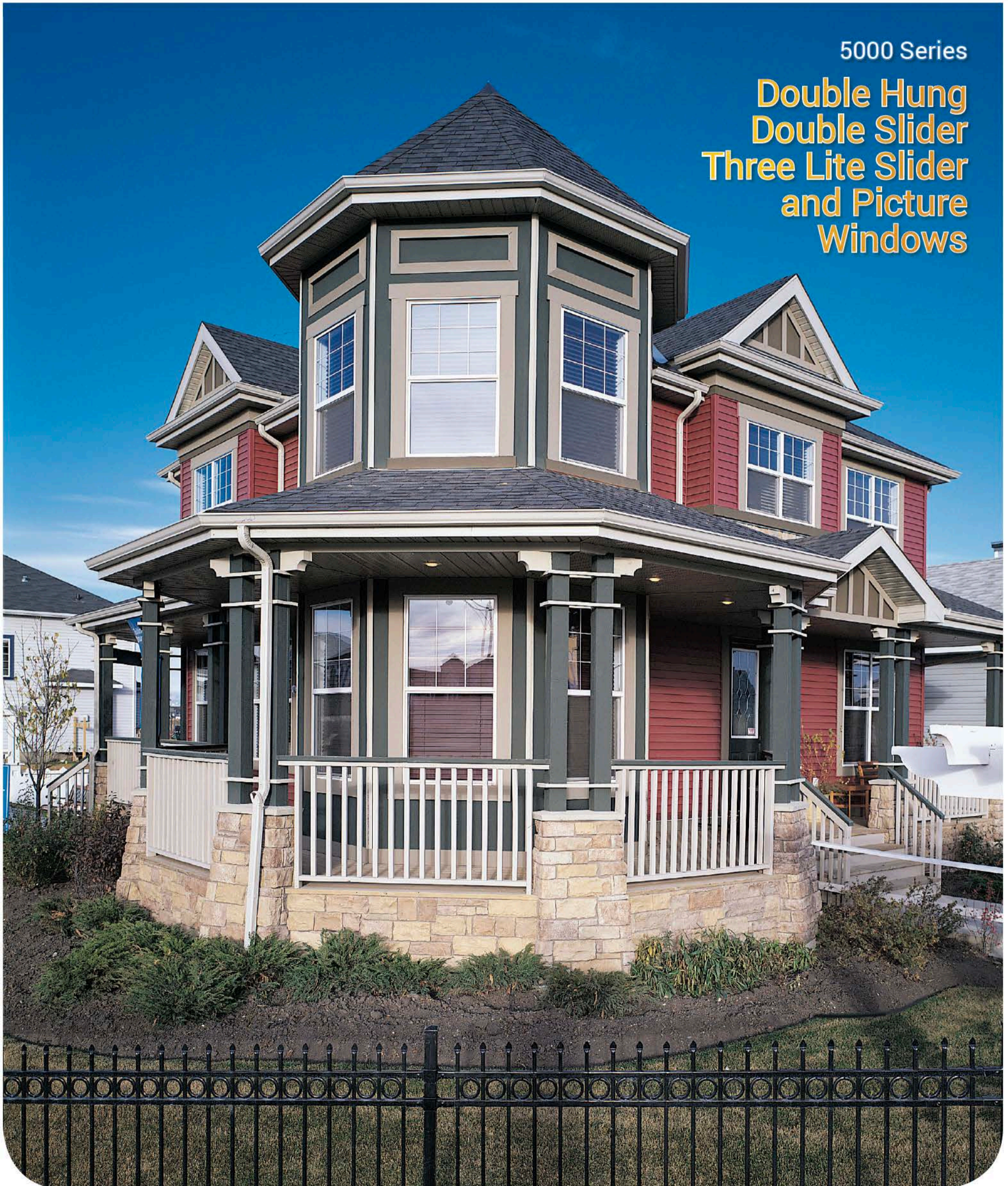


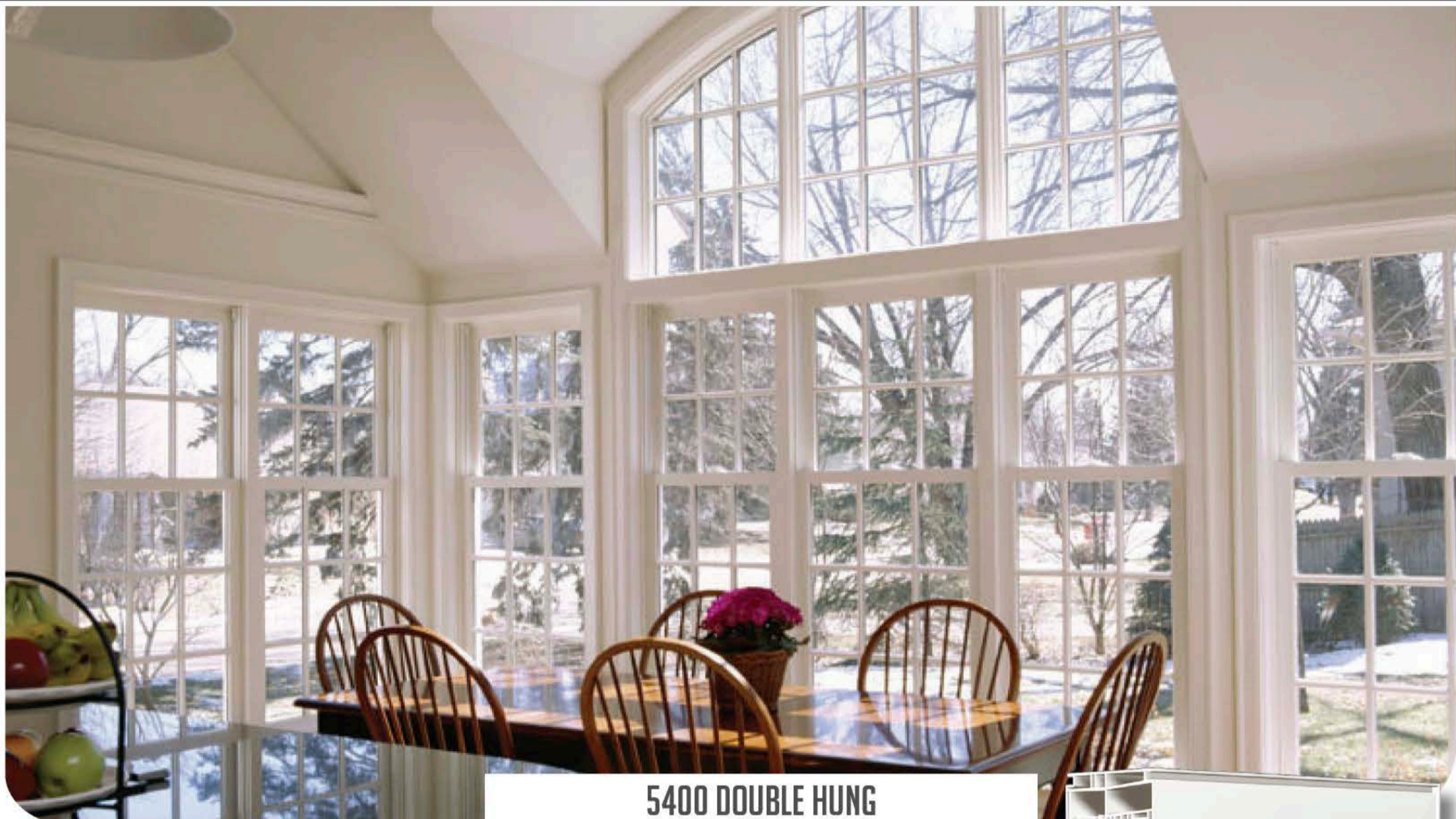
Walsh

Tundra
5000 Series Vinyl Window Systems

5000 Series

Double Hung
Double Slider
Three Lite Slider
and Picture
Windows





5400 DOUBLE HUNG

Double Hung, Double and Triple Slider Window Features

- All welded frame and sash.
- Sloped sill designed for efficient water evacuation.
- Full complement of accessory profiles.
- 3/4" frame width.
- Exterior glazed equal and unequal sash.
- Stainless steel constant force balancers on hungs.
- Smooth operating brass tandem rollers on sliders.
- Frame options: replacement frame, regular nail fin frame, J-fin designed with brick mold accent frame.
- Maximum glass thickness of 3/4".
- Three panel sliders available in (1/3-1/3-1/3, 1/4-1/2-1/4).
- Optimum designed aluminum sash reinforcement.
- Dual-weatherstripping.
- Multi-chambered vinyl profiles for thermal efficiency.
- Up to DP50 performance levels.
- Interlocks designed for ease of operation and positive engagement.
- Aesthetically pleasing exterior frame design.
- Hung sash tilt in and slider sash lift out for cleaning.

WINDOW TYPE	GLASS PACKAGE	U-VALUE	SHCC	VISIBLE TRANSMITTANCE	CONDENSATION RESISTANCE	CLIMATE ZONE MAP
NO FOAM	#1	.29	.40	.58	.58	NC
FOAM	#1	.27	.40	.58	.59	N-NC
NO FOAM	#2	.28	.22	.52	.59	NC
FOAM	#2	.27	.22	.52	.59	N-NC
NO FOAM	#3	.24	.22	.50	.49	N-NC
FOAM	#3	.22	.22	.50	.49	N-NC

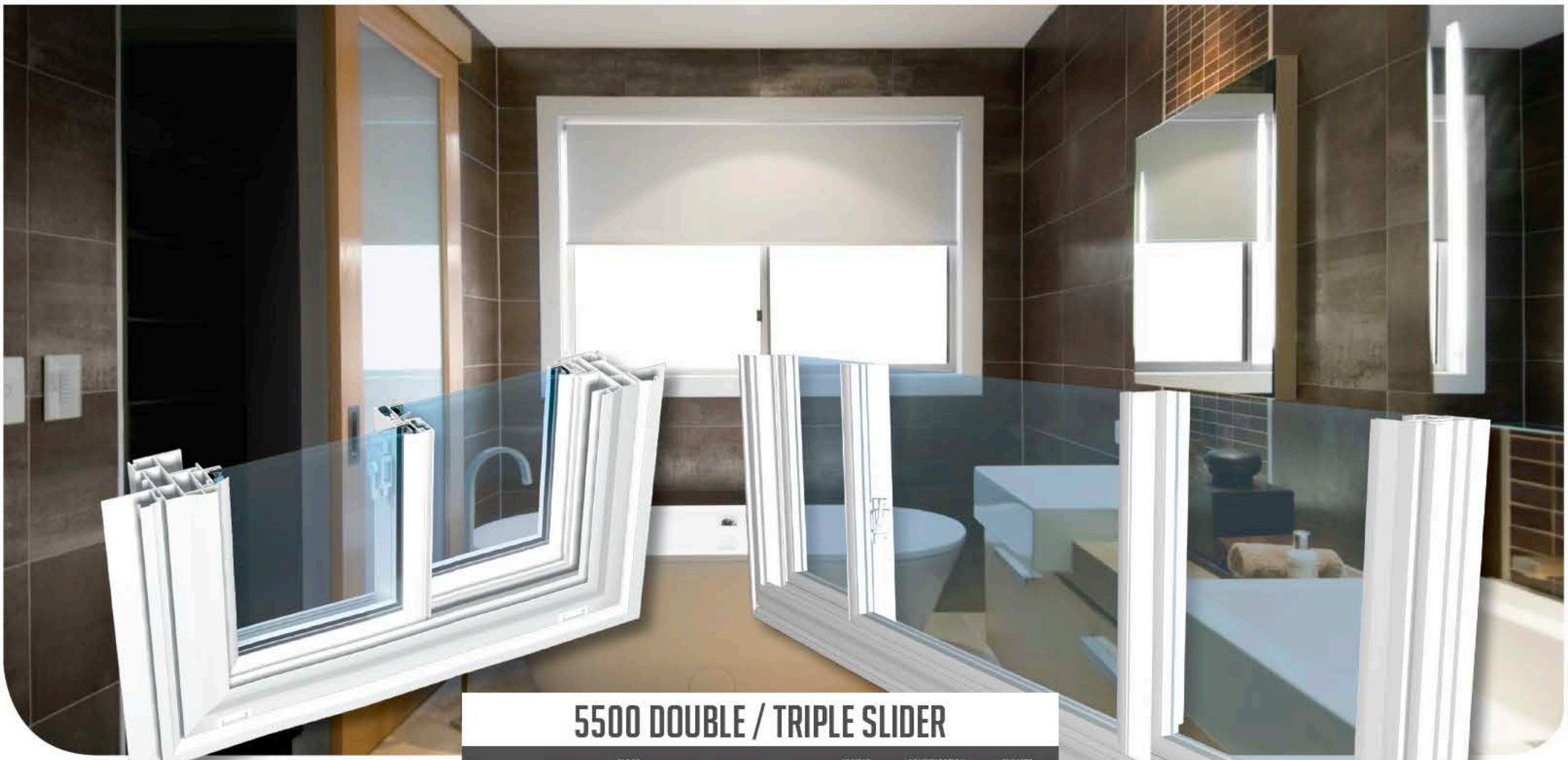
GLASS PACKAGE

TYPE #1	CLEAR/ARGON/LOE 272	3/4" IG LOE SURFACE #3
TYPE #2	LOE 366/ARGON/CLEAR	3/4" IG LOE SURFACE #2
TYPE #3	LOE 366/ARGON/LOE-189	3/4" IG LOE SURFACE #2 AND #4

Optional Foam Fill Sash & Frame

The foam filled dead air chambers and non-conductive PVC improves insulation. Neopor foam insulates up to 8% better than dead air space.





5500 DOUBLE / TRIPLE SLIDER

WINDOW TYPE	GLASS PACKAGE	U-VALUE	SHCC	VISIBLE TRANSMITTANCE	CONDENSATION RESISTANCE	CLIMATE ZONE MAP
NO FOAM	#1	.27	.40	.57	.61	NC
FOAM	#1	.26	.40	.57	.62	N-NC
NO FOAM	#2	.27	.22	.51	.62	NC
FOAM	#2	.25	.22	.51	.63	N-NC
NO FOAM	#3	.23	.21	.49	.48	N-NC
FOAM	#3	.22	.21	.49	.51	N-NC

Available colors for windows, doors and accessories

Due to the limitations of the printing process colors shown may vary. Please call for actual color samples if needed.

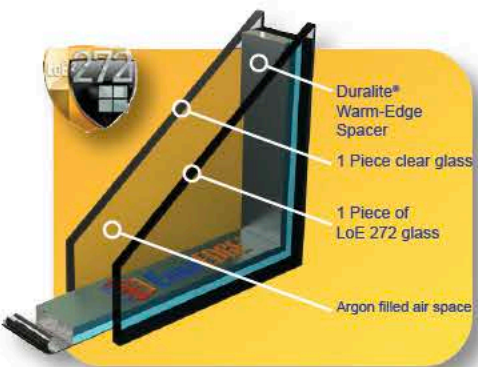


White

Almond

GLASS PACKAGE

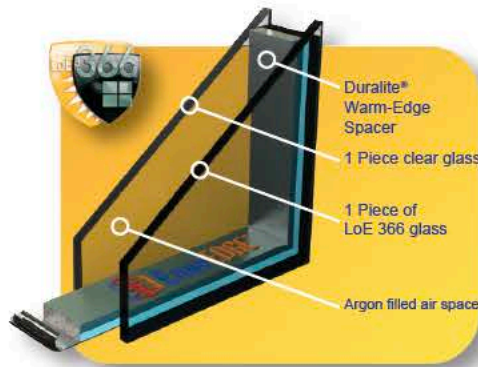
TYPE #1	CLEAR/ARGON/LOE 272	3/4" IG LOE SURFACE #3
TYPE #2	LOE 366/ARGON/CLEAR	3/4" IG LOE SURFACE #2
TYPE #3	LOE 366/ARGON/LOE-I89	3/4" IG LOE SURFACE #2 AND #4



Thermal Package #1

Dual pane insulated unit consisting of one LoE 272 and one clear pane with Duralite® spacer and argon fill.

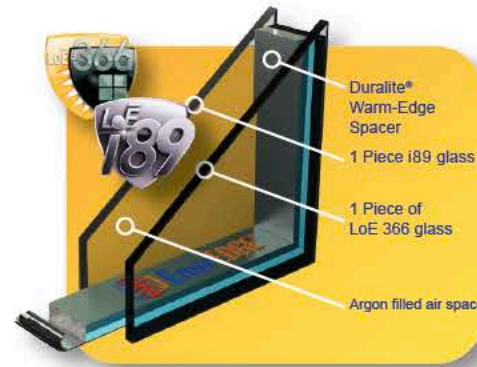
- Increased condensation resistance.
- Increased inside glass temperature.
- Save on heating and cooling costs.



Thermal Package #2

Dual pane insulated unit consisting of one LoE 366 and one clear pane with Duralite® spacer and argon fill.

- High performance glass.
- Better U-value than Package #1.
- Less solar heat gain lowers cooling costs.
- Cuts fading transmission.



Thermal Package #3

Dual pane insulated unit consisting of one LoE 366 and one LoE i89 pane with Duralite® spacer and argon fill.

- Triple pane performance in a dual-pane window.
- Solar heat gain coefficient unaffected like triple glazing.
- Better U-value than Package #2.
- Roomside coating reflects heat back into the living space for better comfort.



5600 PICTURE WINDOW

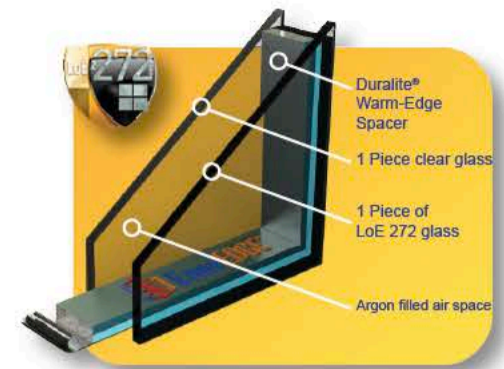
WINDOW TYPE	GLASS PACKAGE	U-VALUE	SHCC	VISIBLE TRANSMITTANCE	CONDENSATION RESISTANCE	CLIMATE ZONE MAP
NO FOAM	#1	.27	.42	.60	.59	N-NC
FOAM	#1	.25	.42	.60	.60	N-NC
NO FOAM	#2	.26	.23	.54	.60	N-NC
FOAM	#2	.25	.23	.54	.60	N-NC
NO FOAM	#3	.22	.23	.53	.51	N-NC
FOAM	#3	.20	.23	.53	.52	N-NC

GLASS PACKAGE

TYPE #1	CLEAR/ARGON/LOE 272	3/4" IG LOE SURFACE #3
TYPE #2	LOE 366/ARGON/CLEAR	3/4" IG LOE SURFACE #2
TYPE #3	LOE 366/ARGON/LOE-I89	3/4" IG LOE SURFACE #2 AND #4

Picture Window Features

- All welded frame
- 3 1/4" frame width
- Frame options: replacement frame, regular nail fin frame, J-fin designed with brick mold accent frame.
- Aesthetically pleasing exterior frame design
- Full complement of accessory profiles
- Maximum glass thickness of 3/4"
- Multi-chambered vinyl profiles for thermal efficiency
- Up to DP50 performance levels
- Full family of products (hung, slider, and picture window)



Thermal Package #1

Dual pane insulated unit consisting of one LoE 272 and one clear pane with Duralite® spacer and argon fill.

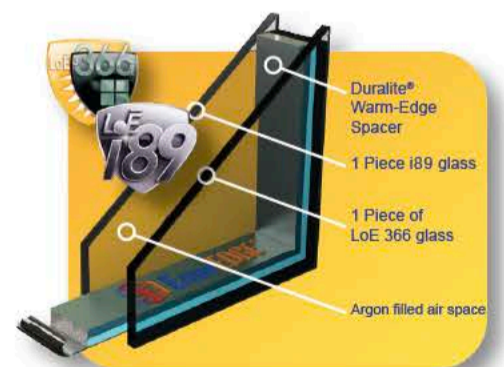
- Increased condensation resistance.
- Increased inside glass temperature.
- Save on heating and cooling costs.



Thermal Package #2

Dual pane insulated unit consisting of one LoE 366 and one clear pane with Duralite® spacer and argon fill.

- High performance glass.
- Better U-value than Package #1.
- Less solar heat gain lowers cooling costs.
- Cuts fading transmission.



Thermal Package #3

Dual pane insulated unit consisting of one LoE 366 and one LoE i89 pane with Duralite® spacer and argon fill.

- Triple pane performance in a dual pane window.
- Solar heat gain coefficient unaffected like triple glazing.
- Better U-value than Package #2.
- Roomside coating reflects heat back into the living space for better comfort.